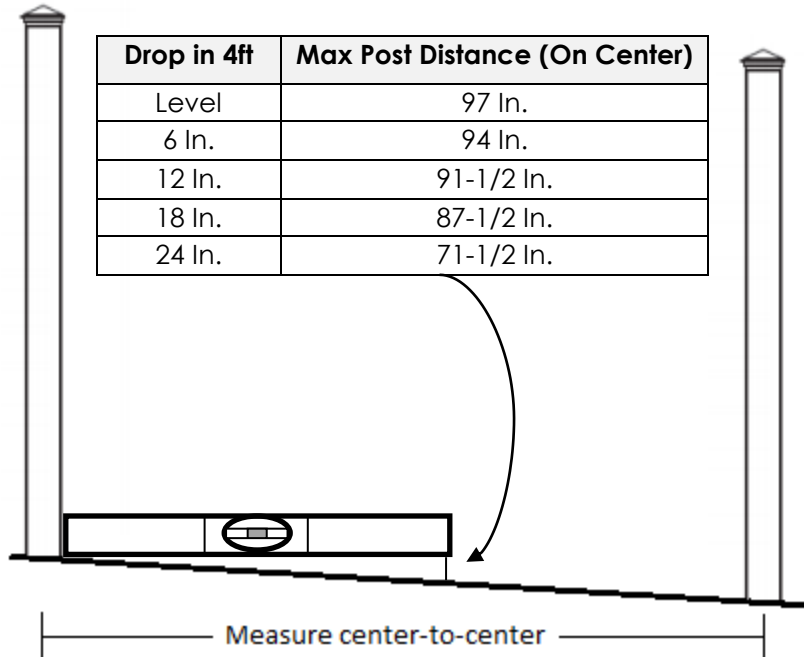


When Trex Horizons fencing is installed following a slope, the post spacing will need to be reduced:

Slope Chart Calculation



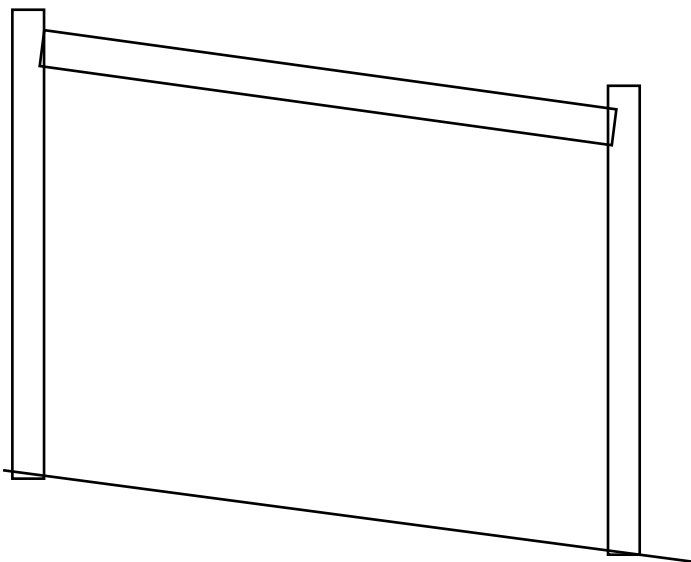
Determine the amount of vertical drop in a 4' horizontal distance by placing a 48" level on the ground, raising it until it is level, and then measuring from the bottom of the level to the ground. Consult the chart to the left for the maximum post spacing (center-to-center).

Ex. If the ground drops 6" in 4', then mark post centers at 94"

When transitioning from one fence height to the next, use the chart below.

Ex. If transitioning from 6' to 3', the fence drops 36" within 8'. Post spacing is therefore 87-1/2" on center

Drop*	Max Post Distance (On Center)
Level	97 In.
12 In.	94 In.
24 In.	91-1/2 In.
36 In.	87-1/2 In.
48 In.	71-1/2 In.
* Drop within an 8' section	



Cut all pickets at an angle to match the opening.