

ELEGANCE &  
DURABILITY



TREX FENCING POSTS  
WITH ORNAMENTAL PANELS

 FDS FENCE DISTRIBUTORS

[TrexFencingFDS.com](http://TrexFencingFDS.com) | 877-700-8739



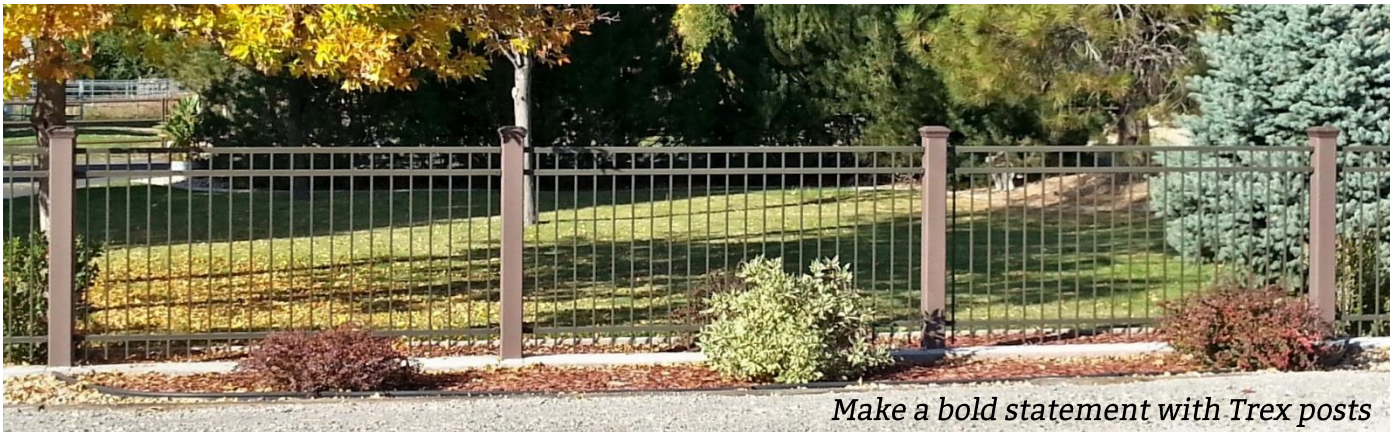
## COMBINING TWO POPULAR PRODUCTS FOR ONE FANTASTIC FENCE

Beauty and security. They don't always come hand-in-hand but sometimes you are fortunate to have both. That's what happens when you combine Trex composite fence posts and caps with ornamental steel or aluminum panels. With the sturdiness and longevity of the Trex post and the elegance of an ornamental metal panel, your property takes on a distinct appearance that sets it apart from common wrought iron fencing at a significantly lower cost.

Installation is simple. Most ornamental panel manufacturers produce flat mount brackets. Attach the brackets directly to the post face to secure your panels. No special tools required!

### WHERE TO BUY TREX POSTS

877-700-8739  
trex@YourNextFence.com



### BENEFITS OF A TREX FENCE POST

- » Durable composite withstands high winds
- » Won't rust, rot, splinter, or crack
- » Resists insects
- » 25-year limited residential warranty
- » Thick profile creates pillar-like appearance
- » Does not require internal reinforcement

### ATTRIBUTES OF A TREX FENCE POST

- » Available in 8', 9', 12'
- » Cuts like lumber
- » 5"x5" outer dimension, 3-3/4" inner dimension
- » Universal post (same post for lines, ends, corners, and gates)
- » 3 colors: Saddle (tan), Woodland Brown (dark brown), Winchester Grey (coastal grey)

# TREX FENCE POST PRODUCT INFORMATION

Trex composite material is comprised of 95% recycled content. The recycled material is 50% wood and 50% polyethylene plastic. The remaining material is made up of proprietary adhesives and pigmentation. Trex composite material has a Class B fire rating.

## POST PROFILE



## POST CAPS



PYRAMID

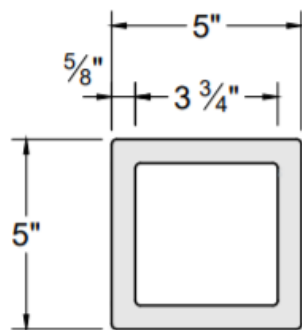


FLAT TOP



CROWN

## DIMENSIONS



LENGTHS: 96", 108", 144"

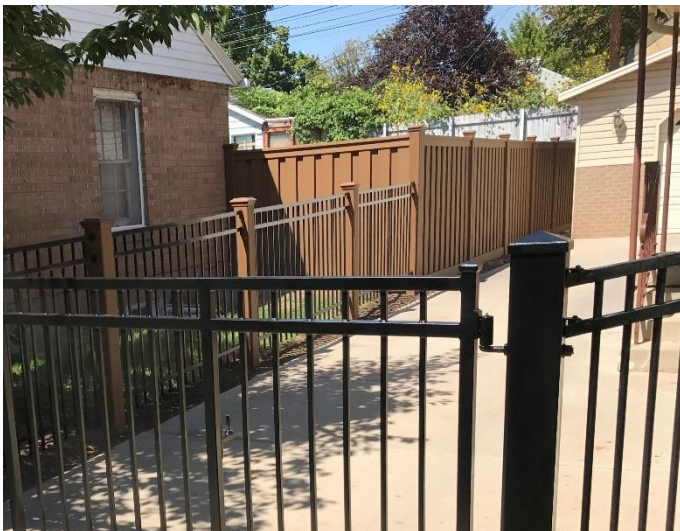
## COLORS











543 E. 600 S., PROVO, UT 84606 | 1-877-700-8739 | [www.TrexFencingFDS.com](http://www.TrexFencingFDS.com)  
Trex® the Trex® logo, and Trex Seclusions® are either federally registered trademarks, trademarks or trade dress of Trex Company, Inc., Winchester Virginia or its licensees. Copyright © 2021 FDS Fence Distributors. All rights reserved.