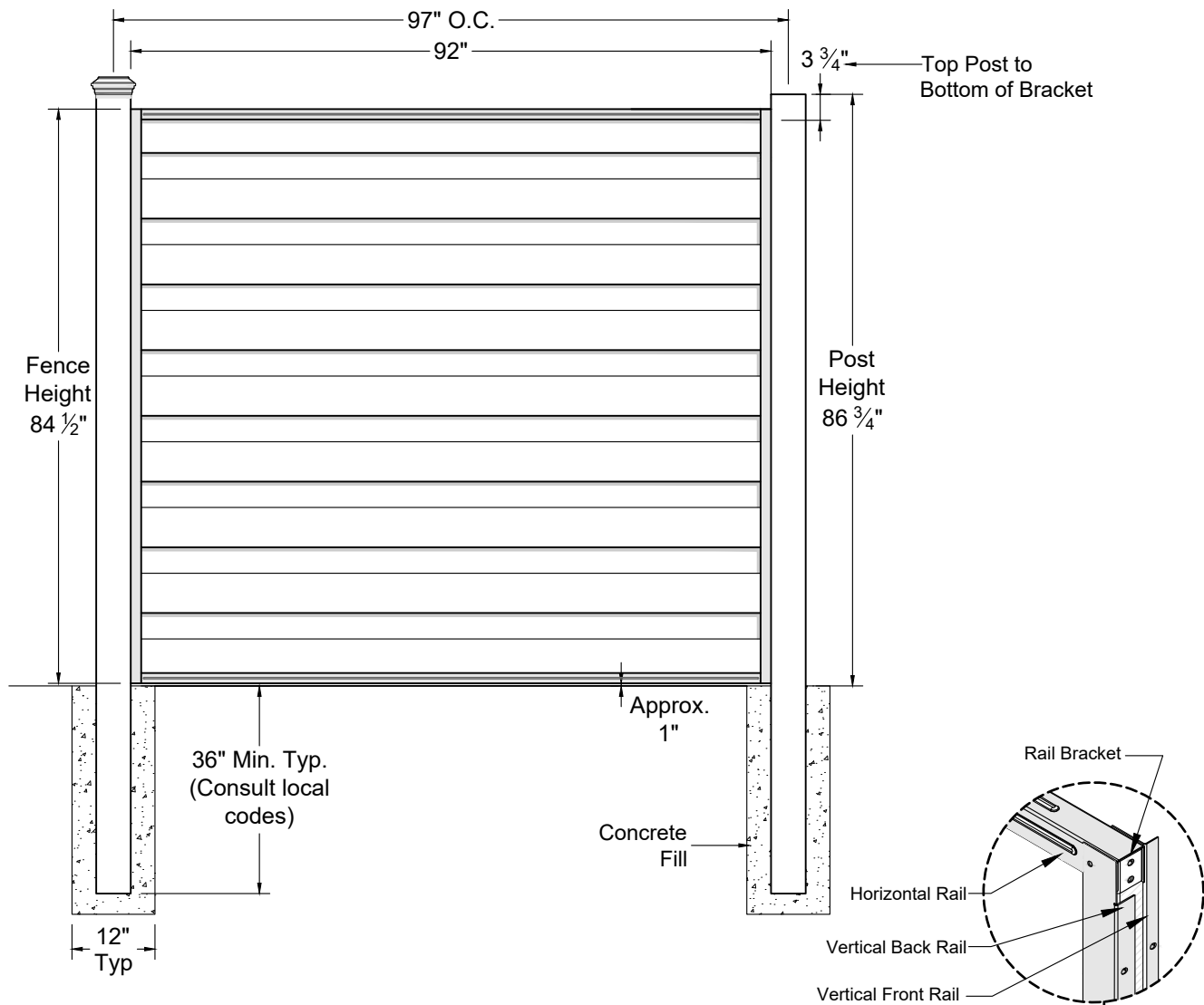


Trex[®] w/ Horizons

HORIZONTAL FENCE SYSTEM

Fence Height: 7'

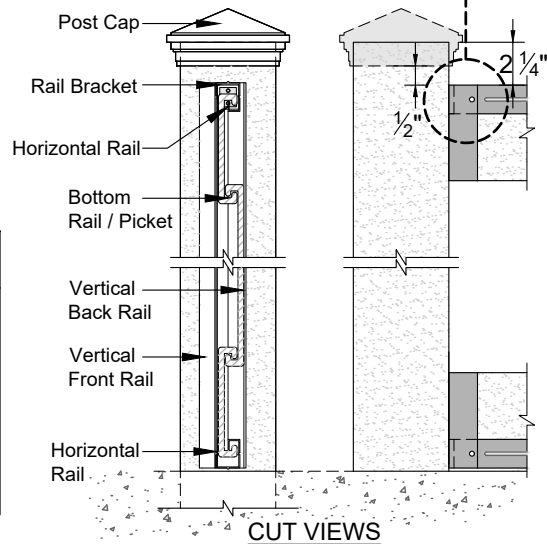


NOTES:

1. ALL HORIZONS COMPONENTS ARE MATTE BLACK POWDER COATED GALVANIZED STEEL (COASTAL APPLICATIONS MUST USE STAINLESS STEEL).
2. INSTALLATION TO BE COMPLETED PER MANUFACTURER'S SPECIFICATION.
3. REFER TO TrexFencingFDS.com FOR CONSTRUCTION DETAILS AND PRODUCT INFORMATION.
4. DRAWING NOT TO SCALE.

COMPONENT	QTY.	LENGTH	COMPONENT	QTY.	LENGTH
Post Cap 	1	N/A	Vertical Back Rail (Cut to 83 1/2") 3/4"x1 1/2" (Horizons)	2	93"
Post 5" x 5"	1	144"	Vertical Front Rail (Cut to 83 1/2") 5/8"x1 1/2" (Horizons)	2	93"
Horizontal Rail 1 1/2" x 1 1/4" (Horizons)	2	92"	Horizontal Top Rail Bracket 1 1/4"x1" (Horizons)	2	1"
Bottom Rail / Picket 1" x 5 3/4"	17	91"	Pan-Head Screws #10	60	3/4"

Component lengths may vary



010923