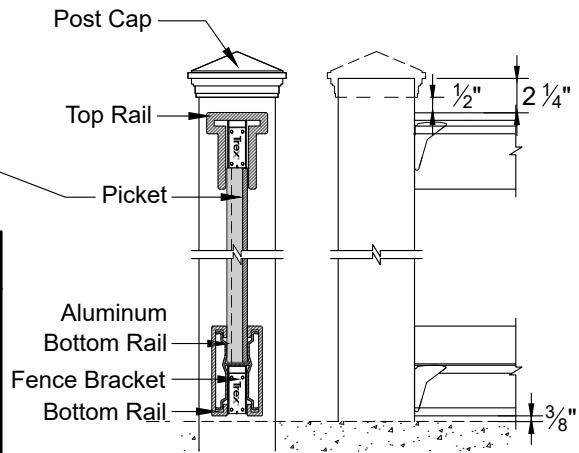
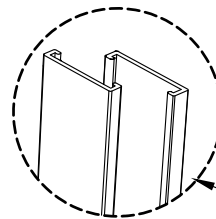


**NOTES:**

1. INSTALLATION TO BE COMPLETED PER MANUFACTURER'S SPECIFICATIONS.
2. REFER TO [TrexFencingFDS.com](http://TrexFencingFDS.com) FOR CONSTRUCTION DETAILS AND PRODUCT INFORMATION.
3. DRAWING NOT TO SCALE.



COMPONENT	QTY.	LENGTH	COMPONENT	QTY.	LENGTH
Post Cap 	1	N/A	Bottom Rail / Picket 	2	91"
Post 	.5	108"	Aluminum Bottom Rail 	1	90 1/2"
Top Rail 	1	91"	Fence Bracket 	4	N/A
Picket (Cut to 19 1/2") 	6.3	67"	Ext. Wood Screw 	#7	22
					1 5/8"

Component lengths may vary

CUT VIEWS

112823