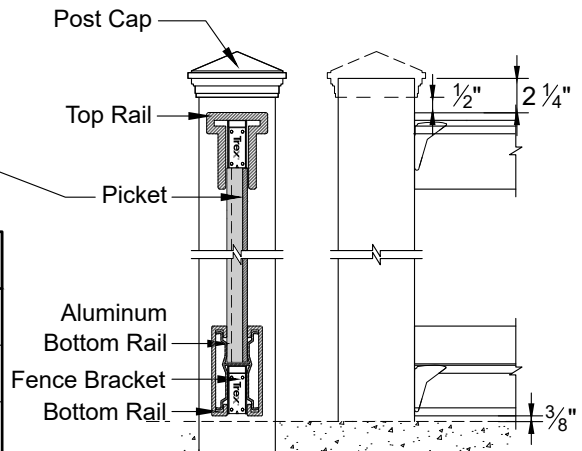
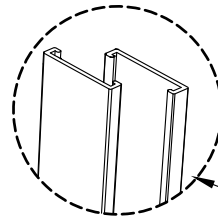


NOTES:

1. INSTALLATION TO BE COMPLETED PER MANUFACTURER'S SPECIFICATIONS.
2. REFER TO TrexFencingFDS.com FOR CONSTRUCTION DETAILS AND PRODUCT INFORMATION.
3. DRAWING NOT TO SCALE.



| COMPONENT | QTY. | LENGTH | COMPONENT | QTY. | LENGTH |
|--|------|--------|--------------------------|------|---------|
| Post Cap | 1 | N/A | Bottom Rail / Picket | 2 | 91" |
| Post | 1 | 96" | Aluminum Bottom Rail | 1 | 90 1/2" |
| Top Rail | 1 | 91" | Fence Bracket | 4 | N/A |
| Bottom Rail / Picket (Cut to 43 1/2") | 9.5 | 91" | Ext. Wood Screw | 24 | 1 5/8" |

Component lengths may vary

CUT VIEWS

112823