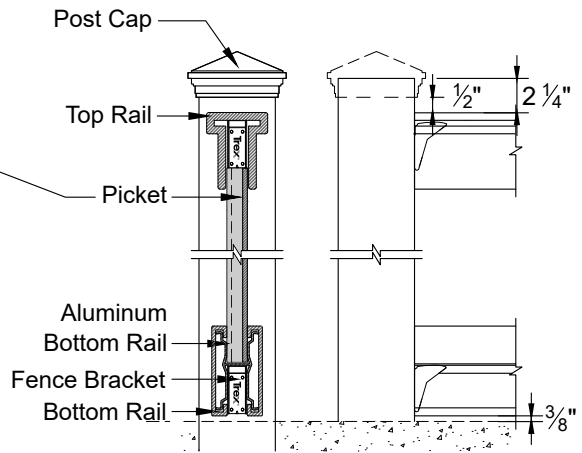
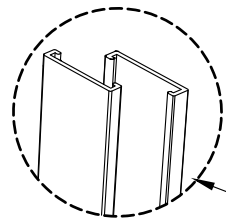


NOTES:

1. INSTALLATION TO BE COMPLETED PER MANUFACTURER'S SPECIFICATIONS.
2. REFER TO TrexFencingFDS.com FOR CONSTRUCTION DETAILS AND PRODUCT INFORMATION.
3. DRAWING NOT TO SCALE.



COMPONENT	LENGTH	COMPONENT	LENGTH
Post Cap Pyramid Flat Crown	N/A	Bottom Rail / Picket 1" x 5 3/4"	91"
Post 5" x 5"	Varies	Aluminum Bottom Rail 2 3/4" x 5 1/8"	90 1/2"
Top Rail 4" x 5"	91"	Fence Bracket 1 1/4" x 3 1/8"	N/A
Picket 1" x 5 3/4"	Varies	Ext. Wood Screw #7	1 5/8"

Component lengths may vary

CUT VIEWS

112823